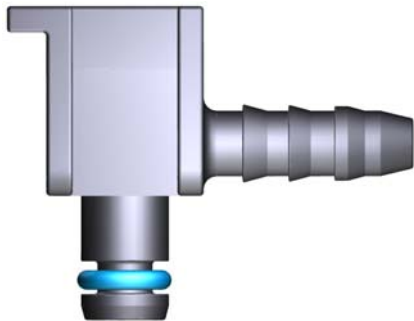


## Product information quick connect systems for leak-off lines

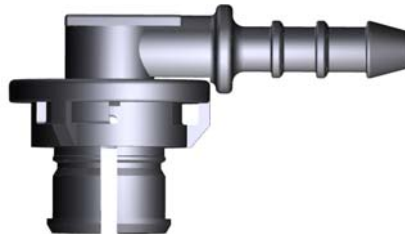
Best-performing connection systems for leak-off rails in common-rail fuel systems

VOSS quick connect system 249 LA



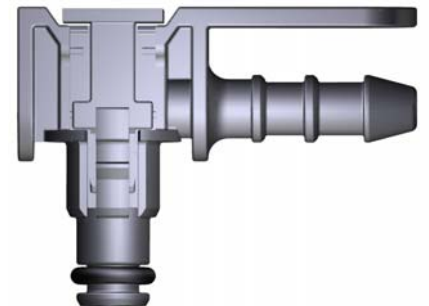
- Plastic or brass elbow and T-plugs
- Connecting port acc. to Delphi specification
- Connects polyamide tubes or hoses
- Metal flange
- Designed for positive pressure
- Very low system height
- Nominal size 6.7
- Temperature range -40 °C to +130 °C
- Operating pressure max 10 bar
- Detaches manually or with tool

VOSS quick connect system 249 LB



- Plastic elbow and T-couplings
- Connecting port acc. to Bosch specification
- Connects polyamide tubes or hoses
- Metal flange
- Designed for positive pressure
- Very low system height
- Nominal size 6.9
- Temperature range -30 °C to +125 °C
- Operating pressure max 16 bar
- Detaches manually or with tool

VOSS quick connect system 250



- Plastic elbow, T- and L-plugs
- Connecting port acc. to Bosch specification
- Connects polyamide tubes or hoses
- Metal flange
- Designed for negative pressure
- Very low system height
- Nominal size 5.7
- Temperature range -30 °C to +150 °C
- Operating pressure max 5 bar
- Detaches manually

Small but mighty –  
designed to meet your requirements



## VOSS quick connect system 246 <sup>MX</sup>

- Plastic quick connections for special connection profiles, for polyamide tubes
- Release mechanism can be rotated into eight different positions
- Quick and safe assembly and disassembly
- Very low system heights
- Different plug types and sizes available
- Color coding on release clip indicates different fir-tree/tube sizes
- High positive engagement of release clip to connecting profile allows higher pressures
- Connecting port profile made of nylon or metal materials identical to previous 246 system variants  
Operating pressure 10 bar
- Operating pressure 10 bar
- Temperature range -40 °C to +100/120 °C

