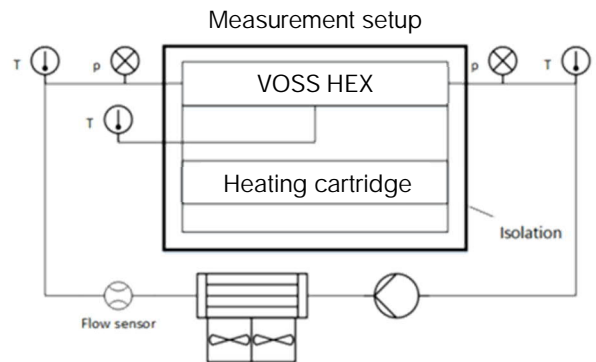
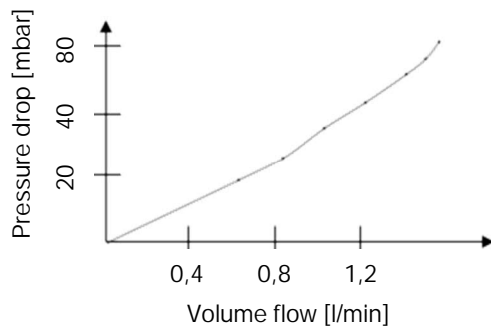
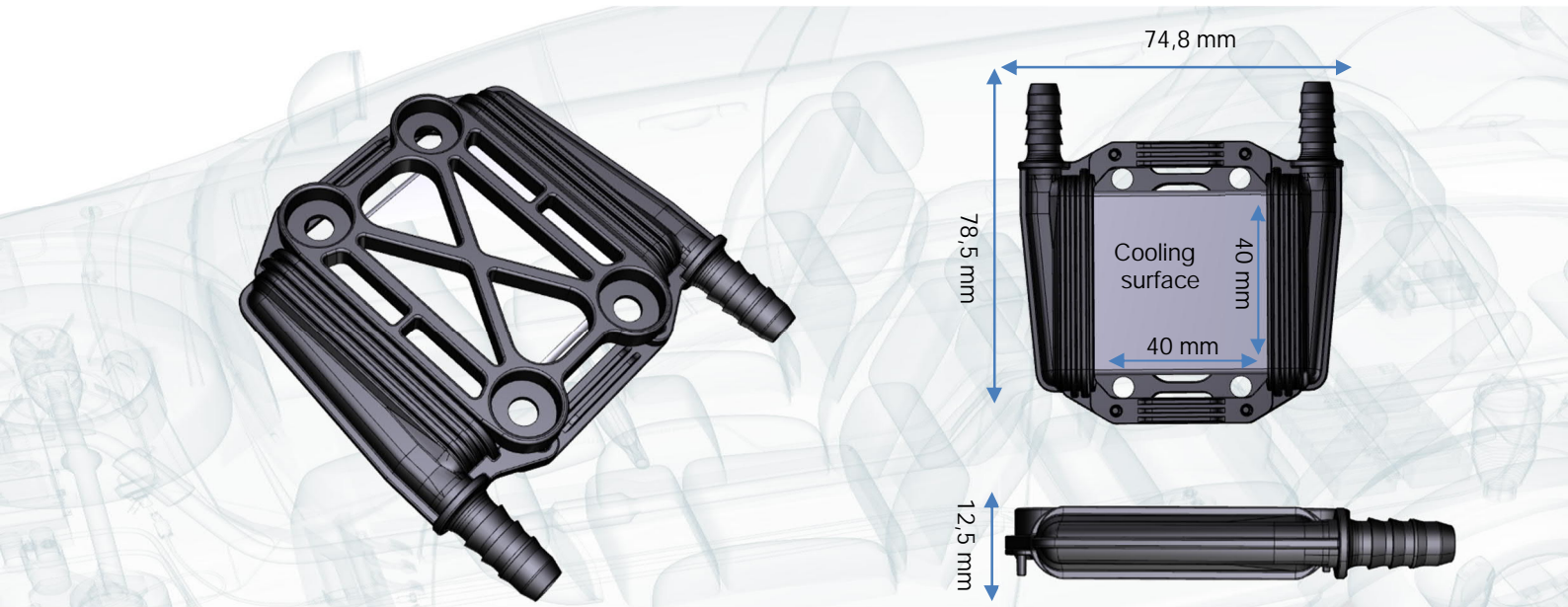


VOSS Heat Exchanger

Efficient cooling of electronics / Peltier elements



Geometry

- Dimensions: 78,5 x 74,8 x 12,5 mm (length x width x height)
- Cooling surface: 40 x 40 mm
- Connecting tube: 8x1 mm
- Material: Aluminum / Plastic
- Mounting: 4 x M4 screw

Performance @ 1,5l/min water-glycol (50:50):

- R_{th} : 0,13 K*in²/W
- Pressure drop: 60 mbar

Features

- High specific cooling performance
- Compact design
- Mechanical robustness
- Leak tightness across high temperature range
- Tests for automotive requirements currently running
- Integrated mounting frame with screw holes
- Scalability according to customer requirements within feasible limits



For more information please contact Christoph Englert, Project Manager Pre-Development at VOSS Automotive GmbH, by phone +49 2267 63-5816 or email: christoph.englert@voss.net.