

Guideline

VOSS DESADV EDIFACT D.00A; 1.0

Print date: 07/07/2021
Author: VOSS

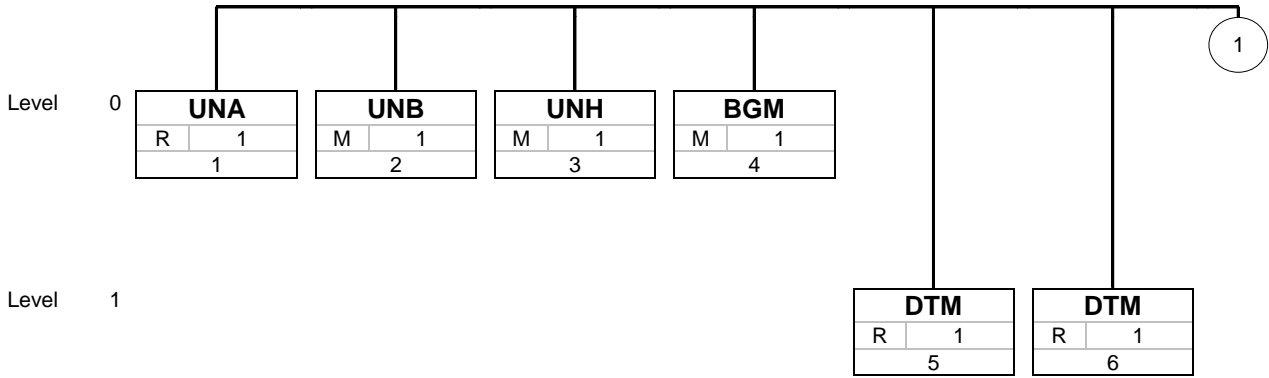
Message Structure.....	2
Branching Diagram	3
Segments	7
Example	27

Structure / Table of Contents

No	Tag	St	MaxOcc	Level	Content
1	UNA	R	1	0	Service string advice
2	UNB	M	1	0	Interchange header
3	UNH	M	1	0	Message header
4	BGM	M	1	0	despatch no
5	DTM	R	1	1	message date
6	DTM	R	1	1	Despatch advice date
7	DTM	R	1	1	estimate arrival date, time
	SG2	R	1	1	Ship-to party
8	NAD	M	1	1	Ship to's name and address
9	LOC	R	1	2	Place of discharge
	SG2	R	1	1	Supplier party
10	NAD	M	1	1	Supplier's name and address
	SG10	R	9999	1	Loading unit
11	CPS	M	1	1	Consignment packing sequence
	SG17	R	1	2	Article identification and despatch quantity
12	LIN	M	1	2	Customer's part or article number
13	QTY	R	10	3	Despatched quantity
14	ALI	R	10	3	Country of origin
15	GIR	R	1	3	Related identification numbers
	SG18	R	99	3	Order reference
16	RFF	M	1	3	Reference
	SG18	R	99	3	Order reference
17	RFF	M	1	3	Customs tariff number
	SG20	R	100	3	Internal place of destination
18	LOC	M	1	3	Place/location identification
19	UNT	M	1	0	Message trailer
20	UNZ	M	1	0	Interchange trailer

Tag = Segment-/Group Tag; No = Consecutive Segment number in Guide; MaxOcc = Maximum repetition of Segment/Group; St = Status: M=Mandatory, C=Conditional, R=Required, O=Optional, D=Dependent, A=Advised, N=Not used

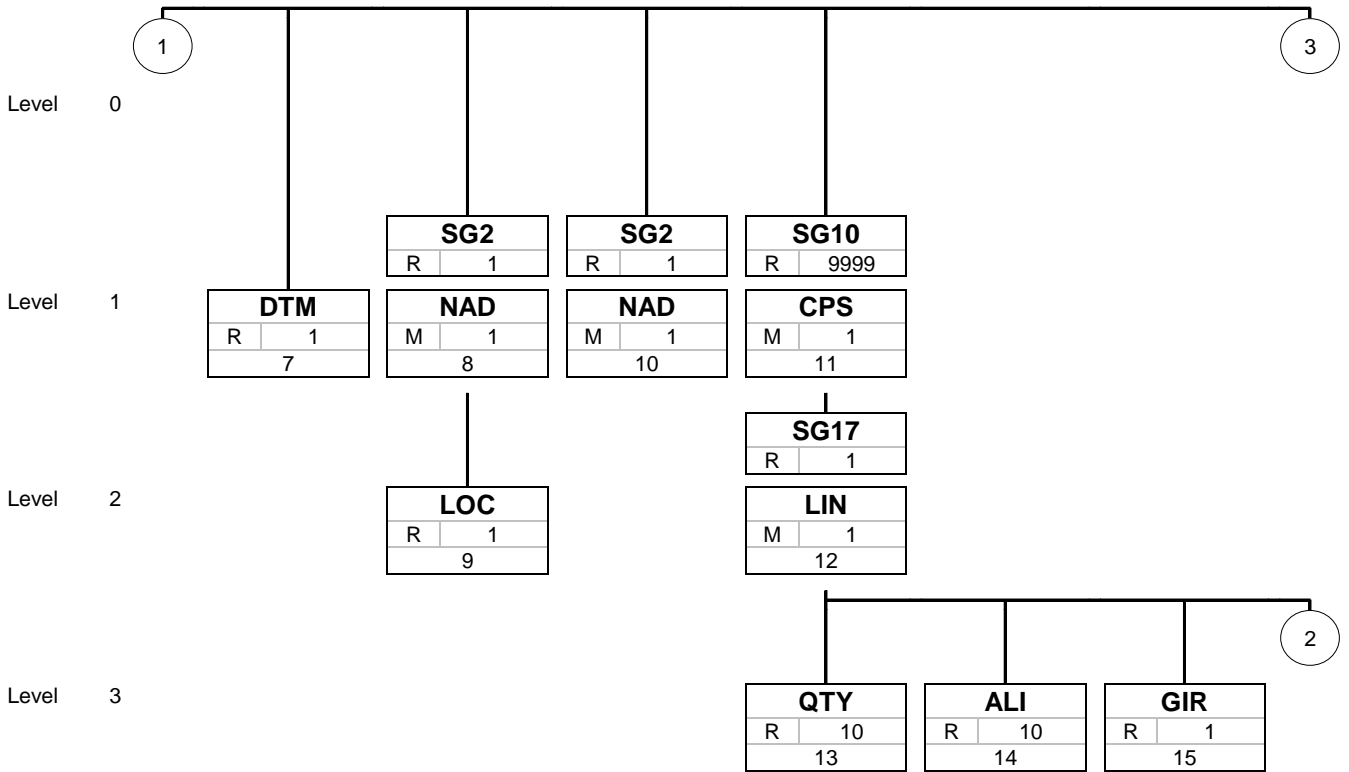
Branching Diagram of Used Segments/Groups



Tag
St MaxOcc
No

Tag = Segment/Group Tag
 St = Status (M=Mandatory, C=Conditional, R=Required, O=Optional, A=Advised, D=Dependent)
 MaxOcc = Maximum occurrence of the segment/group; No = Consecutive segment number

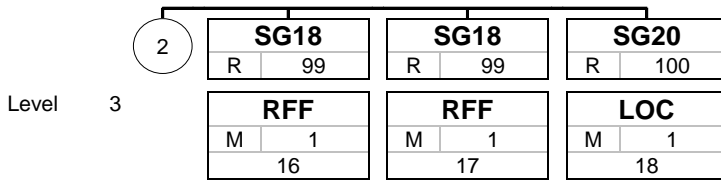
Branching Diagram of Used Segments/Groups



Tag
St MaxOcc
No

Tag = Segment/Group Tag
 St = Status (M=Mandatory, C=Conditional, R=Required, O=Optional, A=Advised, D=Dependent)
 MaxOcc = Maximum occurrence of the segment/group; No = Consecutive segment number

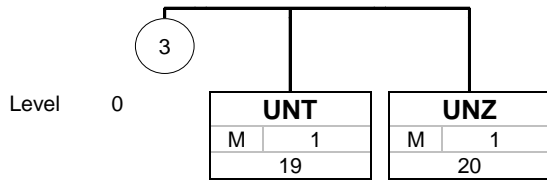
Branching Diagram of Used Segments/Groups



Tag
St MaxOcc
No

Tag = Segment/Group Tag
 St = Status (M=Mandatory, C=Conditional, R=Required, O=Optional, A=Advised, D=Dependent)
 MaxOcc = Maximum occurrence of the segment/group; No = Consecutive segment number

Branching Diagram of Used Segments/Groups



Tag
St MaxOcc
No

Tag = Segment/Group Tag
 St = Status (M=Mandatory, C=Conditional, R=Required, O=Optional, A=Advised, D=Dependent)
 MaxOcc = Maximum occurrence of the segment/group; No = Consecutive segment number

Segments

Counter	No	Tag	St	MaxOcc	Level	Name
0000	1	UNA	R	1	0	Service string advice

Standard			Implementation	
Tag	Name	St Format	St Format	Usage / Remark
UNA				
UNA1	Component data element separator	M an1	M an1	Colon (:)
UNA2	Data element separator	M an1	M an1	Plus (+)
UNA3	Decimal notation	M an1	M an1	Fullstop (.)
UNA4	Release indicator	M an1	M an1	Question mark (?)
UNA5	Reserved for future use	M an1	M an1	Space ()
UNA6	Segment terminator	M an1	M an1	Apostrophe (')

Remark:

Example:

UNA:+.?''

Tag = Segment/Group Tag; No = Consecutive segment number; MaxOcc = Maximum occurrence of the segment/group; St = Status:
M=Mandatory, C=Conditional, R=Required, O=Optional, D=Dependent, A=Advised, N=Not used

Segments

Counter	No	Tag	St	MaxOcc	Level	Name	
	0000	2	UNB	M	1	0	Interchange header

Standard			Implementation	
Tag	Name	St Format	St Format	Usage / Remark
UNB				
S001	Syntax identifier	M	M	
0001	Syntax identifier	M a4	M a4	UNOC UN/ECE level C 3 Version 3
0002	Syntax version number	M n1	M n1	
S002	Interchange sender	M	M	
0004	Sender identification	M an..35	M an..35	Unique ID of the sender in the data transmission network or system.
0007	Partner identification code qualifier	C an..4	R an..4	ZZZ Mutually defined
0008	Address for reverse routing	C an..14	N	Not used
S003	Interchange recipient	M	M	
0010	Recipient identification	M an..35	M an..35	Unique ID of the receiver in the data transmission network or system.
0007	Partner identification code qualifier	C an..4	R an..4	ZZZ Mutually defined
0014	Routing address	C an..14	N	Not used
S004	Date/time of preparation	M	M	
0017	Date of preparation	M n6	M n6	YYMMDD (YY- Year, MM - Month, DD- Day)
0019	Time of preparation	M n4	M n4	HHMM (HH - Hour, MM - Minute)
0020	Interchange control reference	M an..14	M an..14	Unique ID of an interchange.
S005	Recipient's reference, password	C	N	
0022	Recipient's reference/password	M an..14	N	Not used
0025	Recipient's reference/password qualifier	C an2	N	Not used
0026	Application reference	C an..14	N	Not used
0029	Processing priority code	C a1	N	Not used
0031	Acknowledgement request	C n1	N	Not used
0032	Communications agreement ID	C an..35	N	Not used
0035	Test indicator	C n1	N	Not used

Remark:

Example:

UNB+UNOC:3+SENDER:ZZZ+RECEIVER:ZZZ+150617:1702+999'

Tag = Segment/Group Tag; No = Consecutive segment number; MaxOcc = Maximum occurrence of the segment/group; St = Status:
M=Mandatory, C=Conditional, R=Required, O=Optional, D=Dependent, A=Advised, N=Not used

Segments

Counter No	Tag	St	MaxOcc	Level	Name	
0010	3	UNH	M	1	0	Message header

Standard			Implementation	
Tag	Name	St Format	St Format	Usage / Remark
UNH				
0062	Message reference number	M an..14	M an..14	Senders unique message reference (in the interchange). Sequence number of the messages in the interchange. DE 0062 in the UNT will be identical. Sender generated.
S009	Message identifier	M	M	
0065	Message type	M an..6	M an..6	DESADV Despatch advice message
0052	Message version number	M an..3	M an..3	D Draft version/UN/EDIFACT Directory
0054	Message release number	M an..3	M an..3	00A Release 2000 - A
0051	Controlling agency	M an..2	M an..2	UN UN/CEFACT
0057	Association assigned code	C an..6	N	Not used
0068	Common access reference	C an..35	N	Not used
S010	Status of the transfer	C	N	
0070	Sequence of transfers	M n..2	N	Not used
0073	First and last transfer	C a1	N	Not used

Remark:

Example:

UNH+1+DESADV:D:00A:UN'

Tag = Segment/Group Tag; No = Consecutive segment number; MaxOcc = Maximum occurrence of the segment/group; St = Status: M=Mandatory, C=Conditional, R=Required, O=Optional, D=Dependent, A=Advised, N=Not used

Segments

Counter	No	Tag	St	MaxOcc	Level	Name
0020	4	BGM	M	1	0	despatch no

Standard			Implementation	
Tag	Name	St Format	St Format	Usage / Remark
BGM				
C002	Document/message name	C	R	
1001	Document name code	C an..3	R an..3	351 Despatch advice
1131	Code list identification code	C an..3	N	Not used
3055	Code list responsible agency code	C an..3	N	Not used
1000	Document name	C an..35	N	Not used
C106	Document/message identification	C	R	
1004	Document identifier	C an..35	R an..35	Despatch number Despatch advice number Unique identifier of DESADV. No duplicates during calendar year. EDL20_VBELN
1056	Version identifier	C an..9	O an..9	
1060	Revision identifier	C an..6	O an..6	
1225	Message function code	C an..3	N	Not used
4343	Response type code	C an..3	N	Not used

Remark:
A segment for unique identification of the Despatch Advice document by means of its name and number.

Example:
BGM+351+64609795:9:X'

Tag = Segment/Group Tag; No = Consecutive segment number; MaxOcc = Maximum occurrence of the segment/group; St = Status: M=Mandatory, C=Conditional, R=Required, O=Optional, D=Dependent, A=Advised, N=Not used

Segments

Counter	No	Tag	St	MaxOcc	Level	Name	
	0030	5	DTM	R	1	1	message date

Standard			Implementation	
Tag	Name	St Format	St Format	Usage / Remark
DTM				
C507	Date/time/period	M	M	
2005	Date or time or period function code qualifier	M an..3	M an..3	137 Document/message date/time
2380	Date or time or period value	C an..35	R an..35	Format: CCYYMMDD (CC- Century, YY- Year, MM - Month, DD- Day) Date/time of creation of DESADV message date
2379	Date or time or period format code	C an..3	R an..3	102 CCYYMMDD

Remark:

Example:

DTM+137:20210324:102'

Tag = Segment/Group Tag; No = Consecutive segment number; MaxOcc = Maximum occurrence of the segment/group; St = Status: M=Mandatory, C=Conditional, R=Required, O=Optional, D=Dependent, A=Advised, N=Not used

Segments

Counter	No	Tag	St	MaxOcc	Level	Name
0030	6	DTM	R	1	1	Despatch advice date

Standard			Implementation	
Tag	Name	St Format	St Format	Usage / Remark
DTM				
C507	Date/time/period	M	M	
2005	Date or time or period function code qualifier	M an..3	M an..3	11 Despatch date and or time
2380	Date or time or period value	C an..35	R n8	Format: CCYYMMDD (CC- Century, YY- Year, MM - Month, DD- Day) despatch date of of DESADV Despatch advice date
2379	Date or time or period format code	C an..3	R an..3	102 CCYYMMDD

Remark:

Example:

DTM+11:20210324:102'

Tag = Segment/Group Tag; No = Consecutive segment number; MaxOcc = Maximum occurrence of the segment/group; St = Status: M=Mandatory, C=Conditional, R=Required, O=Optional, D=Dependent, A=Advised, N=Not used

Segments

Counter	No	Tag	St	MaxOcc	Level	Name	
	0030	7	DTM	R	1	1	estimate arrival date, time

Standard			Implementation	
Tag	Name	St Format	St Format	Usage / Remark
DTM				
C507	Date/time/period	M	M	
2005	Date or time or period function code qualifier	M an..3	M an..3	132 Arrival date/time, estimated
2380	Date or time or period value	C an..35	R n12	Format: CCYYMMDDHHMM (CC- Century, YY- Year, MM - Month, DD- Day, HH- Hour, MM - Minute) estimate arrival date, time of DESADV estimate arrival date, time
2379	Date or time or period format code	C an..3	R an..3	203 CCYYMMDDHHMM

Remark:

Example:

DTM+132:202103251130:203'

Tag = Segment/Group Tag; No = Consecutive segment number; MaxOcc = Maximum occurrence of the segment/group; St = Status: M=Mandatory, C=Conditional, R=Required, O=Optional, D=Dependent, A=Advised, N=Not used

Segments

Counter No	Tag	St	MaxOcc	Level	Name
0110	SG2	R	1	1	Ship-to party
0120	8 NAD	M	1	1	Ship to's name and address

Standard			Implementation	
Tag	Name	St Format	St Format	Usage / Remark
NAD				
3035	Party function code qualifier	M an..3	M an..3	ST Ship to
C082	Party identification details	C	R	
3039	Party identifier	M an..35	M an..35	Unique identifier of business partner (customer number, supplier number, DUNS number, etc.). Ship-to
1131	Code list identification code	C an..3	N	Not used
3055	Code list responsible agency code	C an..3	R an..3	92 Assigned by buyer or buyer's agent Code specifying the agency responsible for a code list.
C058	Name and address	C	N	
3124	Name and address description	M an..35	N	Not used
3124	Name and address description	C an..35	N	Not used
3124	Name and address description	C an..35	N	Not used
3124	Name and address description	C an..35	N	Not used
3124	Name and address description	C an..35	N	Not used
C080	Party name	C	R	
3036	Party name	M an..35	M an..35	
3036	Party name	C an..35	N	Not used
3036	Party name	C an..35	N	Not used
3036	Party name	C an..35	N	Not used
3036	Party name	C an..35	N	Not used
3045	Party name format code	C an..3	N	Not used
C059	Street	C	N	
3042	Street and number or post office box identifier	M an..35	N	Not used
3042	Street and number or post office box identifier	C an..35	N	Not used
3042	Street and number or post office box identifier	C an..35	N	Not used
3042	Street and number or post office box identifier	C an..35	N	Not used
3164	City name	C an..35	N	Not used
C819	Country sub-entity details	C	N	
3229	Country sub-entity name code	C an..9	N	Not used
1131	Code list identification code	C an..3	N	Not used
3055	Code list responsible agency code	C an..3	N	Not used
3228	Country sub-entity name	C an..35	N	Not used
3251	Postal identification code	C an..17	N	Not used
3207	Country name code	C an..3	N	Not used

Remark:

Example:

NAD+ST+6666::92++Name'

Tag = Segment/Group Tag; No = Consecutive segment number; MaxOcc = Maximum occurrence of the segment/group; St = Status: M=Mandatory, C=Conditional, R=Required, O=Optional, D=Dependent, A=Advised, N=Not used

Segments

Counter No	Tag	St	MaxOcc	Level	Name
0110	SG2	R	1	1	Ship-to party
0130	9 LOC	R	1	2	Place of discharge

Standard			Implementation	
Tag	Name	St Format	St Format	Usage / Remark
LOC				
3227	Location function code qualifier	M an..3	M an..3	11 Place/port of discharge Seehafen, Flughafen, Frachttterminal, Bahnhof oder sonstiger Ort, an dem die Güter (Ladung) von den zu ihrer Beförderung verwendeten Transportmitteln entladen werden Seaport, airport, freight terminal, rail station or other place at which the goods (cargo) are unloaded from the means of transport having been used for their carriage
C517	Location identification	C	R	Information about the place of delivery: Name, address of the place of delivery. EDL20_ABLAD
3225	Location name code	C an..25	R an..10	Identification of a location, site by a code
1131	Code list identification code	C an..3	N	Not used
3055	Code list responsible agency code	C an..3	R an..3	92 Assigned by buyer or buyer's agent Code specifying the agency responsible for a code list.
3224	Location name	C an..256	N	Not used
C519	Related location one identification	C	N	
3223	First related location name code	C an..25	N	Not used
1131	Code list identification code	C an..3	N	Not used
3055	Code list responsible agency code	C an..3	N	Not used
3222	First related location name	C an..70	N	Not used
C553	Related location two identification	C	N	
3233	Second related location name code	C an..25	N	Not used
1131	Code list identification code	C an..3	N	Not used
3055	Code list responsible agency code	C an..3	N	Not used
3232	Second related location name	C an..70	N	Not used
5479	Relation code	C an..3	N	Not used

Remark:

Information about the place of delivery: Name, address of the place of delivery. EDL20_ABLAD

Example:

LOC+11+AAA: : 92'

Tag = Segment/Group Tag; No = Consecutive segment number; MaxOcc = Maximum occurrence of the segment/group; St = Status: M=Mandatory, C=Conditional, R=Required, O=Optional, D=Dependent, A=Advised, N=Not used

Segments

Counter No	Tag	St	MaxOcc	Level	Name
0110	SG2	R	1	1	Supplier party
0120 10	NAD	M	1	1	Supplier's name and address

Standard			Implementation	
Tag	Name	St Format	St Format	Usage / Remark
NAD				
3035	Party function code qualifier	M an..3	M an..3	SU Supplier
C082	Party identification details	C	R	
3039	Party identifier	M an..35	M an..16	Unique identifier of business partner (customer number, supplier number, DUNS number, etc.). Supplier number
1131	Code list identification code	C an..3	N	Not used
3055	Code list responsible agency code	C an..3	R an..3	92 Assigned by buyer or buyer's agent Code specifying the agency responsible for a code list.
C058	Name and address	C	N	
3124	Name and address description	M an..35	N	Not used
3124	Name and address description	C an..35	N	Not used
3124	Name and address description	C an..35	N	Not used
3124	Name and address description	C an..35	N	Not used
3124	Name and address description	C an..35	N	Not used
C080	Party name	C	R	
3036	Party name	M an..35	M an..35	
3036	Party name	C an..35	N	Not used
3036	Party name	C an..35	N	Not used
3036	Party name	C an..35	N	Not used
3036	Party name	C an..35	N	Not used
3045	Party name format code	C an..3	N	Not used
C059	Street	C	N	
3042	Street and number or post office box identifier	M an..35	N	Not used
3042	Street and number or post office box identifier	C an..35	N	Not used
3042	Street and number or post office box identifier	C an..35	N	Not used
3042	Street and number or post office box identifier	C an..35	N	Not used
3164	City name	C an..35	N	Not used
C819	Country sub-entity details	C	N	
3229	Country sub-entity name code	C an..9	N	Not used
1131	Code list identification code	C an..3	N	Not used
3055	Code list responsible agency code	C an..3	N	Not used
3228	Country sub-entity name	C an..35	N	Not used
3251	Postal identification code	C an..17	N	Not used
3207	Country name code	C an..3	N	Not used

Remark:

Example:

NAD+SU+8888888888::92++Name '

Tag = Segment/Group Tag; No = Consecutive segment number; MaxOcc = Maximum occurrence of the segment/group; St = Status: M=Mandatory, C=Conditional, R=Required, O=Optional, D=Dependent, A=Advised, N=Not used

Segments

Counter No	Tag	St	MaxOcc	Level	Name
0390	SG10	R	9999	1	Loading unit
0400 11	CPS	M	1	1	Consignment packing sequence

Standard			Implementation	
Tag	Name	St Format	St Format	Usage / Remark
CPS				
7164	Hierarchical structure level identifier	M an..35	M n..6	Incremented counter generated by message sender, assigned to a packaging group in the message. We recommend starting at 1.
7166	Hierarchical structure parent identifier	C an..35	N	Not used
7075	Packaging level code	C an..3	N	Not used

Remark:

A segment identifying the sequence in which packing of the consignment occur, boxes, e.g. boxes loaded onto a pallet

Example:

CPS+1'

Tag = Segment/Group Tag; No = Consecutive segment number; MaxOcc = Maximum occurrence of the segment/group; St = Status:
M=Mandatory, C=Conditional, R=Required, O=Optional, D=Dependent, A=Advised, N=Not used

Segments

Counter No	Tag	St	MaxOcc	Level	Name
0390	SG10	R	9999	1	Loading unit
0650	SG17	R	1	2	Article identification and despatch quantity
0660 12	LIN	M	1	2	Customer's part or article number

		Standard	Implementation		
Tag	Name	St Format	St Format	Usage / Remark	
LIN					
1082	Line item identifier	C an..6	R an..6	It may be necessary to define the rules for generating unique line numbers bilaterally. The date element should only be used, if absolutely required by the business process. Position no	
1229	Action request/notification description code	C an..3	N	Not used	
C212	Item number identification	C	R		
7140	Item identifier	C an..35	R an..35	ID of article (part number), assigned by customer. EDP19_001 Buyer's item no	
7143	Item type identification code	C an..3	R an..3	IN Buyer's item number	
1131	Code list identification code	C an..3	N	Not used	
3055	Code list responsible agency code	C an..3	N	Not used	
C829	Sub-line information	C	N		
5495	Sub-line indicator code	C an..3	N	Not used	
1082	Line item identifier	C an..6	N	Not used	
1222	Configuration level number	C n..2	N	Not used	
7083	Configuration operation code	C an..3	N	Not used	

Remark:

Example:

LIN+000010++9999999:IN'

Tag = Segment/Group Tag; No = Consecutive segment number; MaxOcc = Maximum occurrence of the segment/group; St = Status: M=Mandatory, C=Conditional, R=Required, O=Optional, D=Dependent, A=Advised, N=Not used

Segments

Counter No	Tag	St	MaxOcc	Level	Name
0390	SG10	R	9999	1	Loading unit
0650	SG17	R	1	2	Article identification and despatch quantity
0700 13	QTY	R	10	3	Despatched quantity

Standard			Implementation	
Tag	Name	St Format	St Format	Usage / Remark
QTY				
C186	Quantity details	M	M	
6063	Quantity type code qualifier	M an..3	M an..3	12 Despatch quantity
6060	Quantity	M an..35	M n..13	Despatched quantity
6411	Measurement unit code	C an..3	R an..3	PCE piece In addition to PCE, other units of measurement are also permissible.

Remark:

This segment is used to transmit the total despatched quantity per delivery note line of the item identified in the LIN segment. If several SG17 are used to transmit the total despatch quantity of the item per delivery note line (e.g. identifying the partial delivery quantity per each handling unit), then this QTY segment has to be included in every of these SG17.

Example:

QTY+12:30:PCE'

Tag = Segment/Group Tag; No = Consecutive segment number; MaxOcc = Maximum occurrence of the segment/group; St = Status: M=Mandatory, C=Conditional, R=Required, O=Optional, D=Dependent, A=Advised, N=Not used

Segments

Counter No	Tag	St	MaxOcc	Level	Name
0390	SG10	R	9999	1	Loading unit
0650	SG17	R	1	2	Article identification and despatch quantity
0710 14	ALI	R	10	3	Country of origin

Standard			Implementation	
Tag	Name	St Format	St Format	Usage / Remark
ALI				
3239	Country of origin name code	C an..3	R an..3	PL POLAND Country in which the goods have been produced or manufactured; might be required by customs authorities in order to identify the applicable customs tariff, quantity restrictions, etc.
9213	Duty regime type code	C an..3	N	Not used
4183	Special condition code	C an..3	N	Not used
4183	Special condition code	C an..3	N	Not used
4183	Special condition code	C an..3	N	Not used
4183	Special condition code	C an..3	N	Not used
4183	Special condition code	C an..3	N	Not used

Remark:

Example:

ALI+PL'

Tag = Segment/Group Tag; No = Consecutive segment number; MaxOcc = Maximum occurrence of the segment/group; St = Status: M=Mandatory, C=Conditional, R=Required, O=Optional, D=Dependent, A=Advised, N=Not used

Segments

Counter No	Tag	St	MaxOcc	Level	Name
0390	SG10	R	9999	1	Loading unit
0650	SG17	R	1	2	Article identification and despatch quantity
0730 15	GIR	R	1	3	Related identification numbers

		Standard	Implementation	
Tag	Name	St Format	St Format	Usage / Remark
GIR				
7297	Set type code qualifier	M an..3	M an..3	
C206	Identification number	M	M	
7402	Object identifier	M an..35	M an..35	Reference number according to qualifier in DE 7405 Batch number
7405	Object identification code qualifier	C an..3	R an..3	BX Batch number Die hier definierten Codes sollen für herstellerübergreifend genutzte Informationen verwendet werden. Weitere individuelle Codes können ggf. zweiseitig vereinbart werden.
4405	Status description code	C an..3	N	Not used
C206	Identification number	C	N	
7402	Object identifier	M an..35	N	Not used
7405	Object identification code qualifier	C an..3	N	Not used
4405	Status description code	C an..3	N	Not used
C206	Identification number	C	N	
7402	Object identifier	M an..35	N	Not used
7405	Object identification code qualifier	C an..3	N	Not used
4405	Status description code	C an..3	N	Not used
C206	Identification number	C	N	
7402	Object identifier	M an..35	N	Not used
7405	Object identification code qualifier	C an..3	N	Not used
4405	Status description code	C an..3	N	Not used
C206	Identification number	C	N	
7402	Object identifier	M an..35	N	Not used
7405	Object identification code qualifier	C an..3	N	Not used
4405	Status description code	C an..3	N	Not used

Remark:

Example:

GIR+1+333333:BX'

Tag = Segment/Group Tag; No = Consecutive segment number; MaxOcc = Maximum occurrence of the segment/group; St = Status: M=Mandatory, C=Conditional, R=Required, O=Optional, D=Dependent, A=Advised, N=Not used

Segments

Counter No	Tag	St	MaxOcc	Level	Name
0390	SG10	R	9999	1	Loading unit
0650	SG17	R	1	2	Article identification and despatch quantity
0820	SG18	R	99	3	Order reference
0830 16	RFF	M	1	3	Reference

Standard			Implementation	
Tag	Name	St Format	St Format	Usage / Remark
RFF				
C506	Reference	M	M	
1153	Reference function code qualifier	M an..3	M an..3	ON Order number (purchase)
1154	Reference identifier	C an..35	R an..35	Unique identifier of an order document. Order no
1156	Document line identifier	C an..6	R an..6	Line number of a document Order positon
4000	Reference version identifier	C an..35	N	Not used
1060	Revision identifier	C an..6	N	Not used

Remark:

A segment identifying documents related to the line item.

Example:

RFF+ON:55555555:00010'

Tag = Segment/Group Tag; No = Consecutive segment number; MaxOcc = Maximum occurrence of the segment/group; St = Status:
M=Mandatory, C=Conditional, R=Required, O=Optional, D=Dependent, A=Advised, N=Not used

Segments

Counter No	Tag	St	MaxOcc	Level	Name
0390	SG10	R	9999	1	Loading unit
0650	SG17	R	1	2	Article identification and despatch quantity
0820	SG18	R	99	3	Order reference
0830 17	RFF	M	1	3	Customs tariff number

Standard			Implementation	
Tag	Name	St Format	St Format	Usage / Remark
RFF				
C506	Reference	M	M	
1153	Reference function code qualifier	M an..3	M an..3	HS Harmonised system number
1154	Reference identifier	C an..35	R an..35	Customs tariff number
1156	Document line identifier	C an..6	N	Not used
4000	Reference version identifier	C an..35	N	Not used
1060	Revision identifier	C an..6	N	Not used

Remark:

A segment identifying documents related to the line item.

Example:

RFF+HS:222222'

Tag = Segment/Group Tag; No = Consecutive segment number; MaxOcc = Maximum occurrence of the segment/group; St = Status:
M=Mandatory, C=Conditional, R=Required, O=Optional, D=Dependent, A=Advised, N=Not used

Segments

Counter No	Tag	St	MaxOcc	Level	Name
0390	SG10	R	9999	1	Loading unit
0650	SG17	R	1	2	Article identification and despatch quantity
0910	SG20	R	100	3	Internal place of destination An internal location within the ship-to's premises, where goods are moved to after they have been unloaded, e.g. an assembly line, an internal warehouse, etc.
0920 18	LOC	M	1	3	Place/location identification

		Standard	Implementation	
Tag	Name	St Format	St Format	Usage / Remark
LOC				
3227	Location function code qualifier	M an..3	M an..3	159 Additional internal destination 159 - Verbrauchsstelle
C517	Location identification	C	R	
3225	Location name code	C an..25	R an..25	Identifier of location, site, etc. Additional internal destination EDL24_VBRST
1131	Code list identification code	C an..3	N	Code for identifying a code list Not used
3055	Code list responsible agency code	C an..3	R an..3	92 Assigned by buyer or buyer's agent Code specifying the agency responsible for a code list.
3224	Location name	C an..256	N	Not used
C519	Related location one identification	C	N	
3223	First related location name code	C an..25	N	Not used
1131	Code list identification code	C an..3	N	Not used
3055	Code list responsible agency code	C an..3	N	Not used
3222	First related location name	C an..70	N	Not used
C553	Related location two identification	C	N	
3233	Second related location name code	C an..25	N	Not used
1131	Code list identification code	C an..3	N	Not used
3055	Code list responsible agency code	C an..3	N	Not used
3232	Second related location name	C an..70	N	Not used
5479	Relation code	C an..3	N	Not used

Remark:

An internal location within the ship-to's premises, where goods are moved to after they have been unloaded, e.g. an assembly line, an internal warehouse, etc.

Example:

LOC+159+BBB: :92'

Tag = Segment/Group Tag; No = Consecutive segment number; MaxOcc = Maximum occurrence of the segment/group; St = Status: M=Mandatory, C=Conditional, R=Required, O=Optional, D=Dependent, A=Advised, N=Not used

Segments

Counter	No	Tag	St	MaxOcc	Level	Name
1150	19	UNT	M	1	0	Message trailer

Standard			Implementation	
Tag	Name	St Format	St Format	Usage / Remark
UNT				
0074	Number of segments in the message	M n..6	M n..6	The total number of segments in the message. Die Gesamtanzahl der Segmente in der Nachricht.
0062	Message reference number	M an..14	M an..14	The message reference numbered detailed here should equal the one specified in the UNH segment.

Remark:

Example:

UNT+19+1'

Tag = Segment/Group Tag; No = Consecutive segment number; MaxOcc = Maximum occurrence of the segment/group; St = Status:
M=Mandatory, C=Conditional, R=Required, O=Optional, D=Dependent, A=Advised, N=Not used

Segments

Counter	No	Tag	St	MaxOcc	Level	Name
---------	----	-----	----	--------	-------	------

0000	20	UNZ	M	1	0	Interchange trailer
------	----	------------	---	---	---	---------------------

Standard			Implementation	
Tag	Name	St Format	St Format	Usage / Remark
UNZ				
0036	Interchange control count	M n..6	M n..6	Transmission file end Number of messages or message groups in the transfer file.
0020	Interchange control reference	M an..14	M an..14	

Remark:
Used to finish a transfer file and check it for completeness.

Example:
UNZ+1+999'

Tag = Segment/Group Tag; No = Consecutive segment number; MaxOcc = Maximum occurrence of the segment/group; St = Status:
M=Mandatory, C=Conditional, R=Required, O=Optional, D=Dependent, A=Advised, N=Not used



Example Message

Example	Segment name
UNA:+. ? '	Service string advice
UNB+UNOC:3+SENDER:ZZZ+RECEIVER:ZZZ+150617:17 02+999'	Interchange header
UNH+1+DESADV:D:00A:UN'	Message header
BGM+351+64609795:9:X'	despatch no
DTM+137:20210324:102'	message date
DTM+11:20210324:102'	Despatch advice date
DTM+132:202103251130:203'	estimate arrival date, time
	Ship-to party
NAD+ST+6666::92++Name'	Ship to's name and address
LOC+11+AAA::92'	Place of discharge
	Supplier party
NAD+SU+88888888::92++Name'	Supplier's name and address
	Loading unit
CPS+1'	Consignment packing sequence
	Article identification and despatch quantity
LIN+000010++9999999:IN'	Customer's part or article number
QTY+12:30:PCE'	Despatched quantity
ALI+PL'	Country of origin
GIR+1+333333:BX'	Related identification numbers
	Order reference
RFF+ON:55555555:00010'	Reference
	Order reference
RFF+HS:222222'	Customs tariff number
	Internal place of destination
LOC+159+BBB::92'	Place/location identification
UNT+19+1'	Message trailer
UNZ+1+999'	Interchange trailer